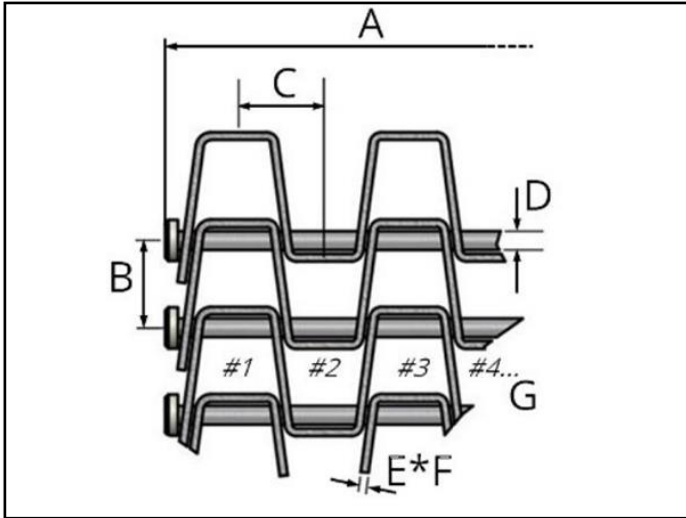


Specialize In Wire Conveyor Belt Manufacturing And Solution.

Honeycomb Conveyor Belt Enquiry Form

Please supply the following technical parameter information of your belt in order to obtain further quotation, if cannot confirm, please contact us by email in time.



Welded Edge



Clinched Edge



Chain Edge

NOTE: When measuring pitch B, it is best practice to measure over 10 pitches and then divide by 10 to obtain the average pitch.

Basic information		
Material	Overall Width (mm)	Length (m)

If the belt with chain edge, please supply the chain links technical parameter information sheets.

Detailed information			
B: Cross Rod Pitch (mm)		E x F: Flat Strip Cross Section (mm x mm)	
C: Nominal Lateral Pitch (mm)		G: Number of Apertures Across Width	
D: Cross Rod Diameter (mm)		Edge Type (Welded/Clinched/Chain Edge)	

Please fill in your more demand information here: